

D

Appendix D Pin Assignment and Cable Wiring

- 100BaseTX Port Pin Assignment and Cable Wiring
- Console Port Pin Assignment
- Async RS-232 Port Pin Assignment
- CN20030- RJ45 to Female DB25 RS-232 Cable Wiring
- CN20040- RJ45 to Male DB25 RS-232 Cable Wiring

100BaseTX Port Pin Assignment and Cable Wiring

100BaseTX Port Pin Assignment

Pin	Signals
1	Tx+
2	Tx-
3	Rx+
6	Rx-

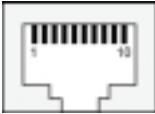
Connecting to a Hub - Straight Through Cable Wiring

CN2500 100BaseTX		HUB
1 Tx+	-----	1
2 Tx-	-----	2
3 Rx+	-----	3
6 Rx-	-----	6

Connecting to a PC - Crossed Over Cable Wiring

CN2500 100BaseTX		PC LAN Card
1 Tx+	-----	3
2 Tx-	-----	6
3 Rx+	-----	1
6 Rx-	-----	2

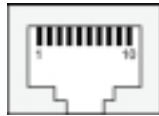
Console Port Pin Assignment



RJ45 Female Connector


Pin	Signals
1	-
2	DSR
3	RTS
4	GND
5	TxD
6	RxD
7	GND
8	CTS
9	DTR
10	-

Async RS-232 Port Pin Assignment



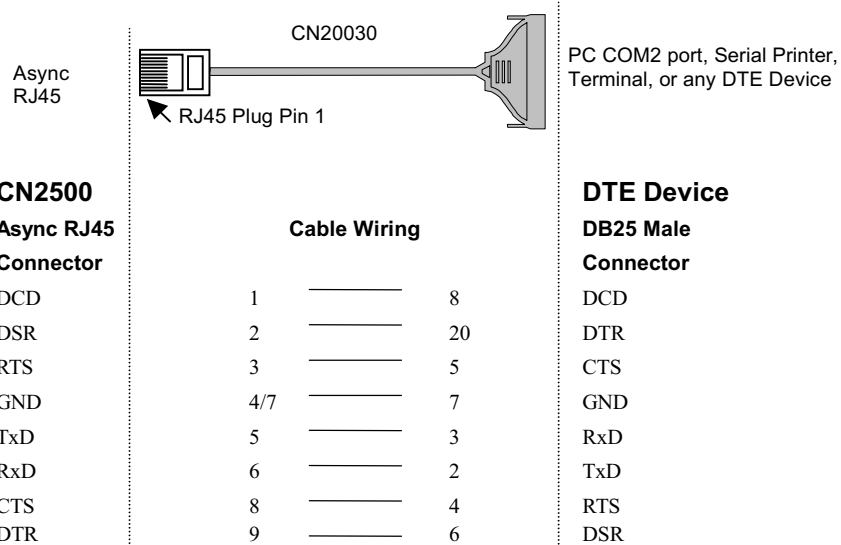
RJ45 Female Connector

Pin	Signals
1	DCD
2	DSR
3	RTS
4	GND
5	TxD
6	RxD
7	GND
8	CTS
9	DTR
10	-

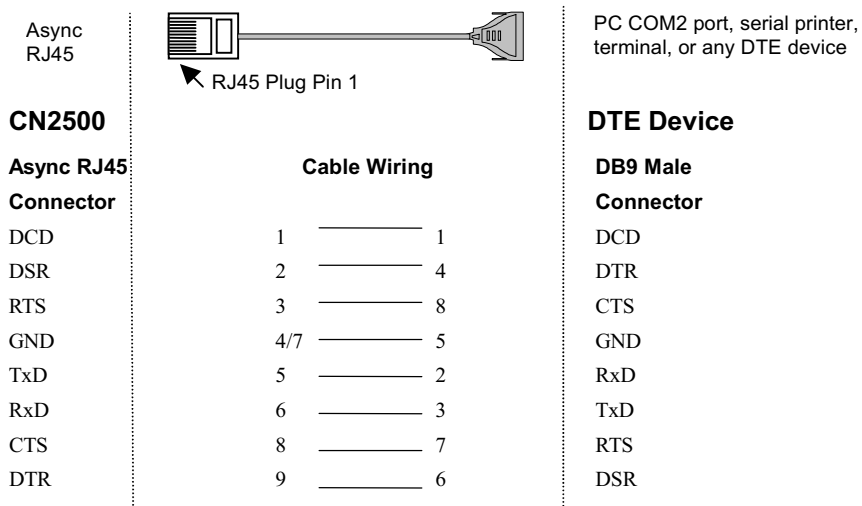
 *Note: You may use either pin 4 or pin 7 or both pins for grounding.*

CN20030- RJ45 to Female DB25 RS-232 Cable Wiring

Connecting to a DTE device.



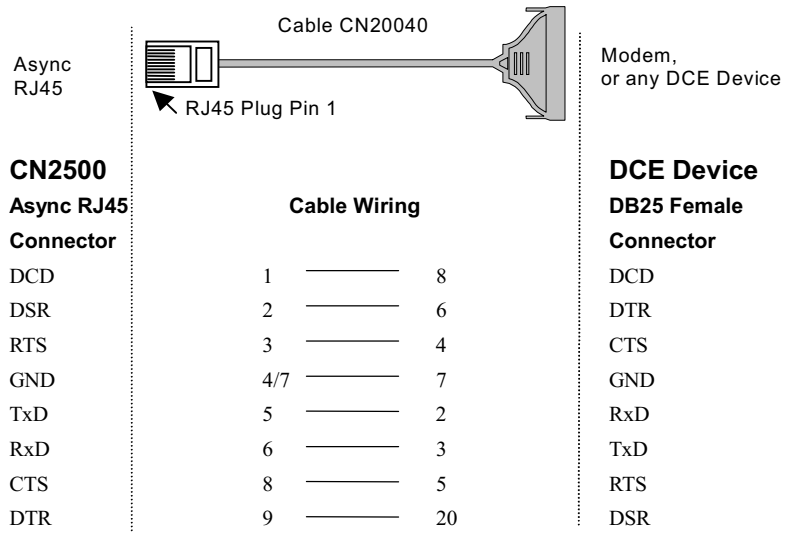
Note: 4/7 means either line 4 or line 7 can be used for GND.




Note: 4/7 means either line 4 or line 7 can be used for GND.

CN20040- RJ45 to Male DB25 RS-232 Cable Wiring

Cable Wiring and Connecting to a DCE device.



 **Note:** 4/7 means either line 4 or line 7 can be used for GND.